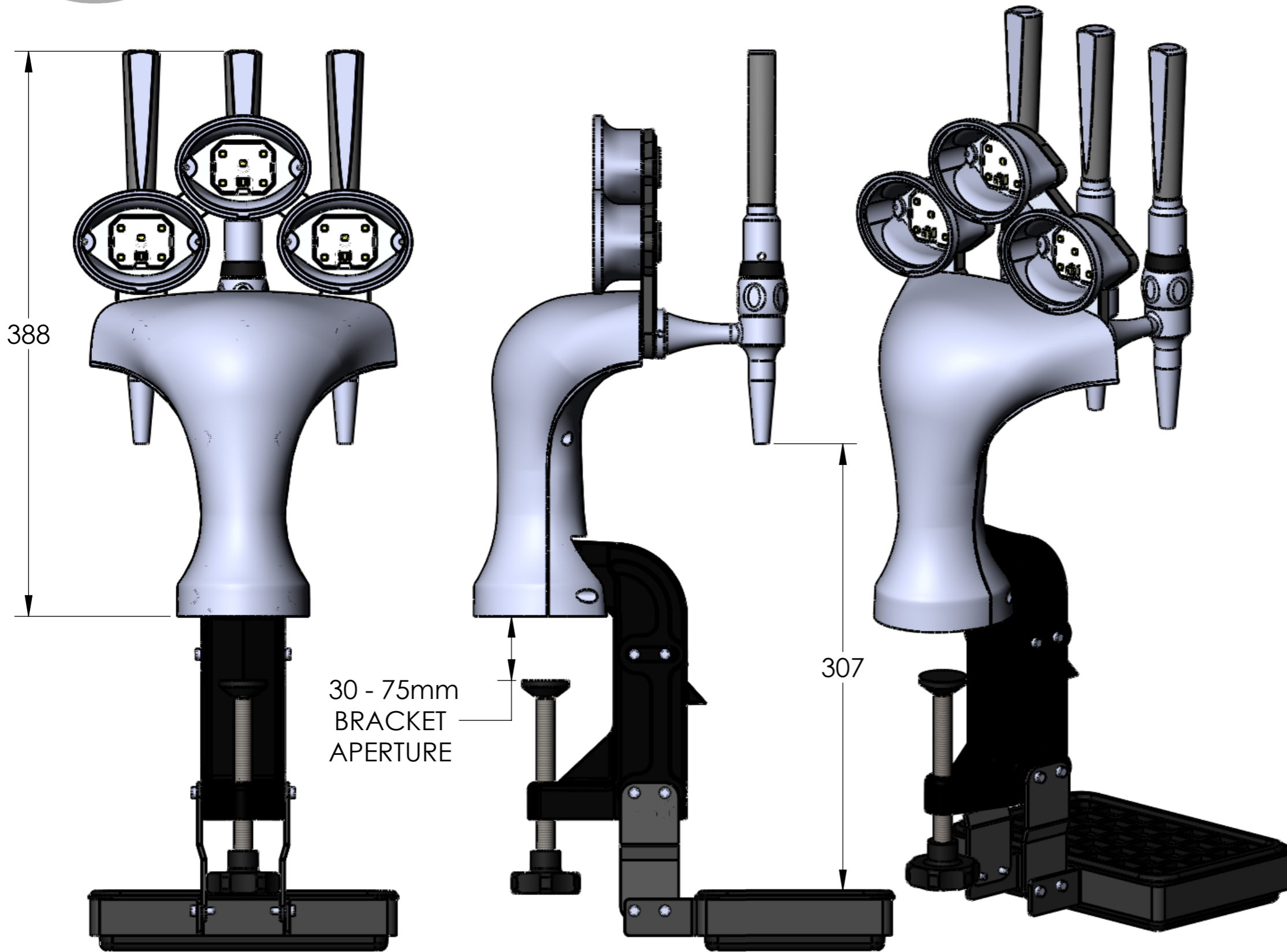


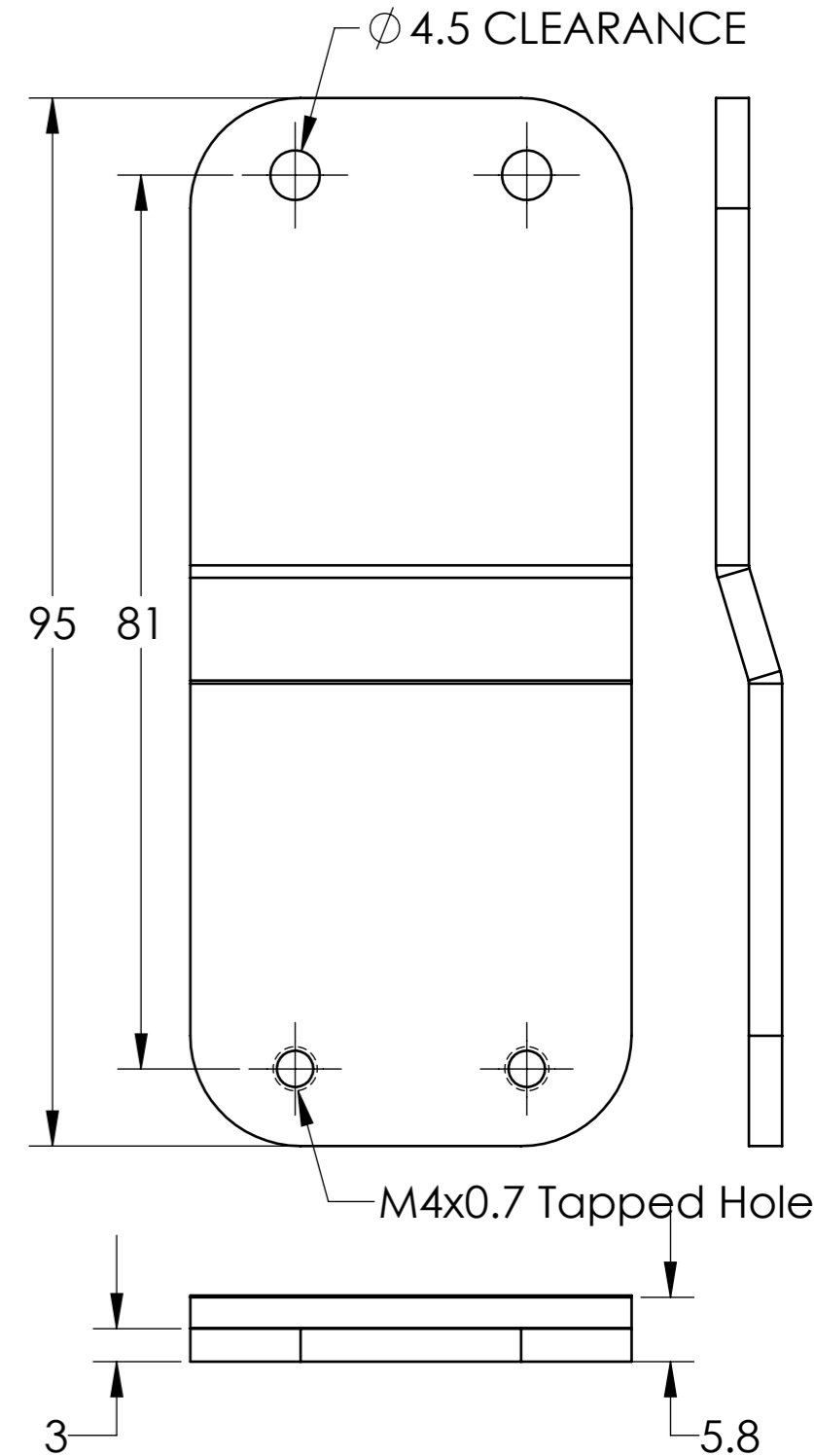


# TECHNICAL UPDATE S-TYPE CLAMP-ON EXTENSION LEGS

MODIFICATION APPLIES ACROSS THE S-TYPE RANGE, SHOWN HERE ON THE THREE OUT FOR ILLUSTRATIVE PURPOSES ONLY



## S-TYPE DRIP TRAY FRAME EXTENSION PLATE



S-TYPE CHAMELEON DRIP TRAY FRAME EXTENSION PLATE  
USED ON S-TYPE/ LOW VERSIONS OF FONTS TO INCREASE  
DISTANCE FROM SPOUT TO DRIPTRAY  
\*IF BAR THICKNESS EXCEEDS MAXIMUM DIMENSION  
PLEASE CONTACT SALES OFFICE FOR ALTERNATIVE OPTIONS

\*\*ILLUSTRATIONS SHOWN WITH ELEGANCE TAP & OVAL  
BRANDING, HOWEVER, ALTERNATIVE OPTIONS ARE  
AVAILABLE BY  
CONTACTING THE SALES OFFICE OR REFERRING TO DISPENSE  
SPARES  
PRICE LIST AT [www.porta.co.uk](http://www.porta.co.uk)

\*\*\*PLEASE REFER TO SEPARATE SHEET FOR CONDENSATION  
OPTION