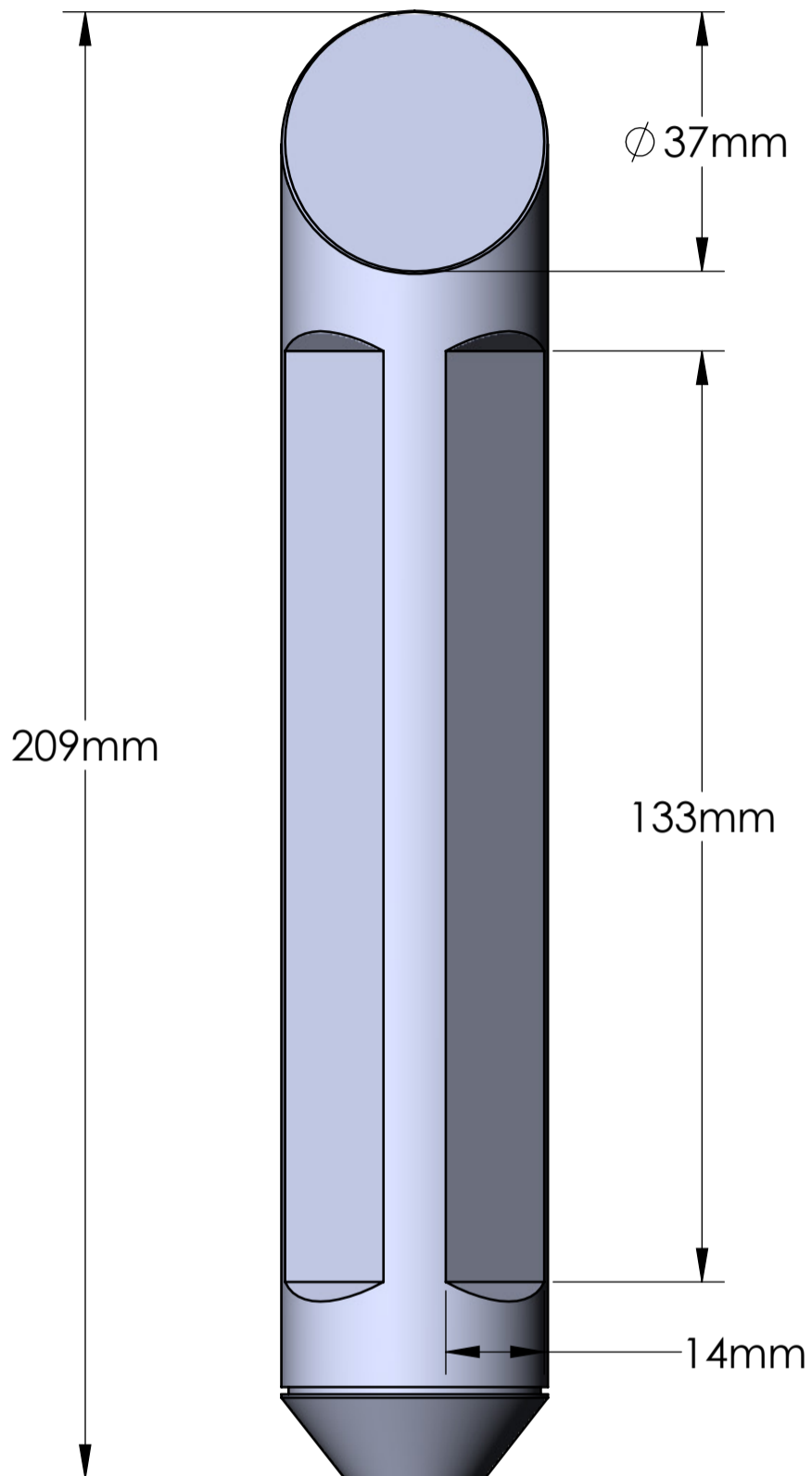


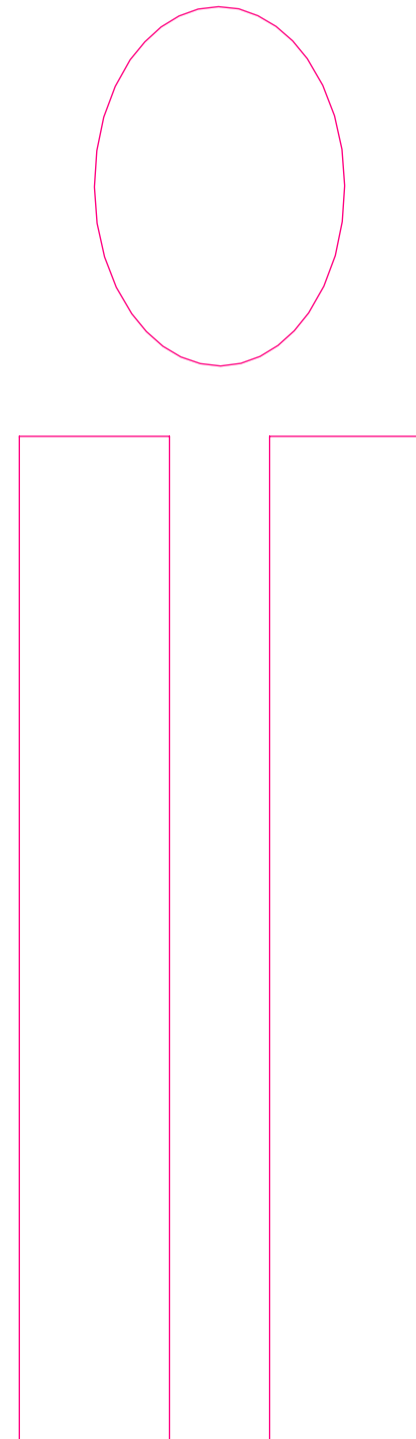
Type 17 Tap Handle



© Porter Lancastrian



Cutter Guide



- Standard finish chrome
- Available in other finishes on request
- Minimum order quantities may apply
- Suitable for vinyl wrapping and direct printing subject to artwork
- 10 mm or 3/8" tap thread fitting available